

## DIN 125 Round Flat Washer

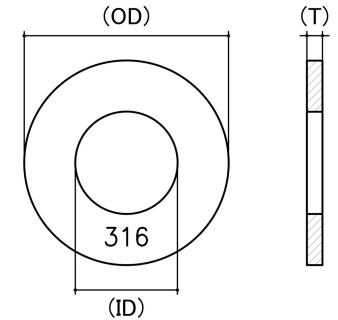
**Material:** Stainless Steel

**Class Grade:** A4-70 G316

**Corrosion Protection Level:** Ultimate

**Standard:** DIN 125

**System Of Measurement:** Metric



*CAD drawings shown for graphic representation only.\**

Industry Size	Inside Dimension (ID) (mm)		Outside Dimension (OD) (mm)		Thickness (T) (mm)		sku (qfind)
	Min	Max	Min	Max	Min	Max	
M5 x 10 x 1	5.10	5.50	9.70	10.00	0.90	1.00	71S5101M
M6 x 12 x 1.6	6.10	6.80	11.70	12.00	1.40	1.80	71S61216M
M8 x 16 x 1.6	8.60	9.20	15.60	16.00	1.40	1.80	71S81616M
M10 x 21 x 2	10.20	10.75	19.50	20.00	1.80	2.20	71S10202M
M12 x 24 x 2.5	13.00	13.97	23.50	24.00	2.20	2.50	71S122425M
M14 x 28 x 2.5	15.10	15.60	27.50	28.00	2.20	2.60	71SM142825M
M16 x 30 x 3	17.00	17.60	29.50	30.00	2.70	3.00	71S16303M
M18 x 34 x 3	19.00	19.60	33.70	34.00	2.70	3.00	71SM18343M
M20 x 37 x 3	20.90	22.10	36.70	37.00	2.70	3.00	71S20373M
M24 x 44 x 4	24.50	26.50	43.60	44.00	3.70	4.00	71S24444M
M36 x 66 x 5	36.50	38.50	64.40	66.00	4.50	5.00	71S36665M

**Disclaimer:**

Dimensional data and technical information was obtained from publically available sources and not acquired through standard agencies. It has been completed and compiled for reference purposes only; where discrepancies are found they are subject to change without notice. Bolt & Nut Australia makes no warranties or representations regarding the accuracy and validity of the compiled information and data. Contact the relevant standard authorities for accurate and detailed information.

\* CAD drawings may not reflect diameter, thread length or overall length.

© Bolt & Nut Australia Pty Ltd. All rights reserved.

Version: 18 Mar 2024